

**RADIANT PANEL MODULAR**

**OPTIONS:**

- APPLICATION (SEE PAGE 2)
- COIL LAYOUT (SEE PAGE 3)

**FACE STYLE:**

- SF - SOLID FACE FINISH (DEFAULT)
- PERF - PERFORATED FACE FINISH

**COIL PIPING:**

- 2P - 2-PIPE (DEFAULT)
- NONE
- \* 'NONE' FOR 'NO COIL' ONLY

**COIL SPACING:**

- 4IN - 4-INCH SPACING (DEFAULT)
- NONE
- \* 'NONE' FOR 'NO COIL' ONLY

**COIL CONNECTION**

- SWT - 1/2" SWEAT (DEFAULT)
- FNPT - 1/2" FEMALE NPT
- MNPT - 1/2" MALE NPT
- PSH - 1/2" NOMINAL PUSH CONNECT
- NONE
- \* 'NONE' FOR 'NO COIL' ONLY
- \* 'FNPT', 'MNPT' NOT AVAILABLE FOR 'CL4'

**MATERIAL:**

- STL - STEEL (DEFAULT)

**INSULATION:**

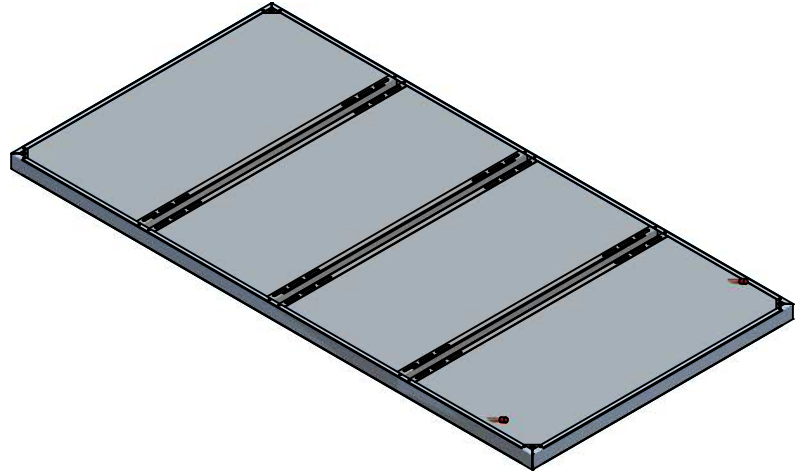
- NONE - NO INSULATION
- 1INS - 1-INCH INSULATION (DEFAULT)
- 2INS - 2-INCH INSULATION

**FINISH:**


- B25 - CUSTOM MATCHED COLOR (DEFAULT)

**NOTES:**

- STANDARD CONSTRUCTION: 20-GAUGE STEEL CONSTRUCTION
- FACTORY TOLERANCE: ± 1/32"



NOMINAL LENGTH	NOMINAL WIDTH
24"	24"
30"	30"
36"	36"
42"	42"
48"	48"
54"	
60"	
66"	
72"	
78"	
84"	
90"	
96"	
102"	
108"	
114"	
120"	

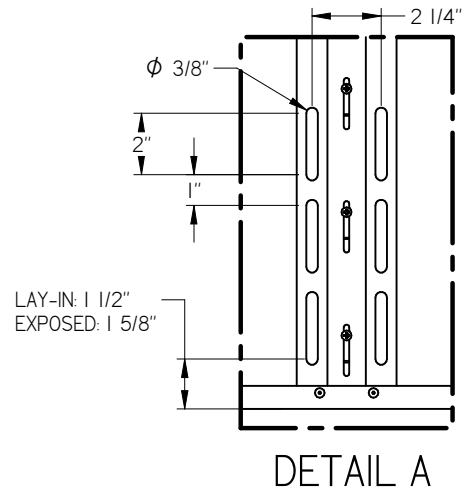
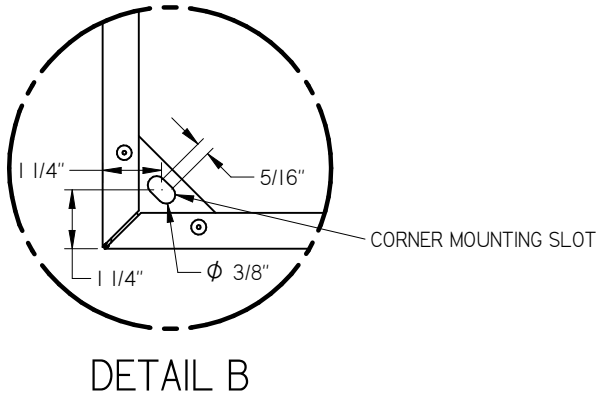
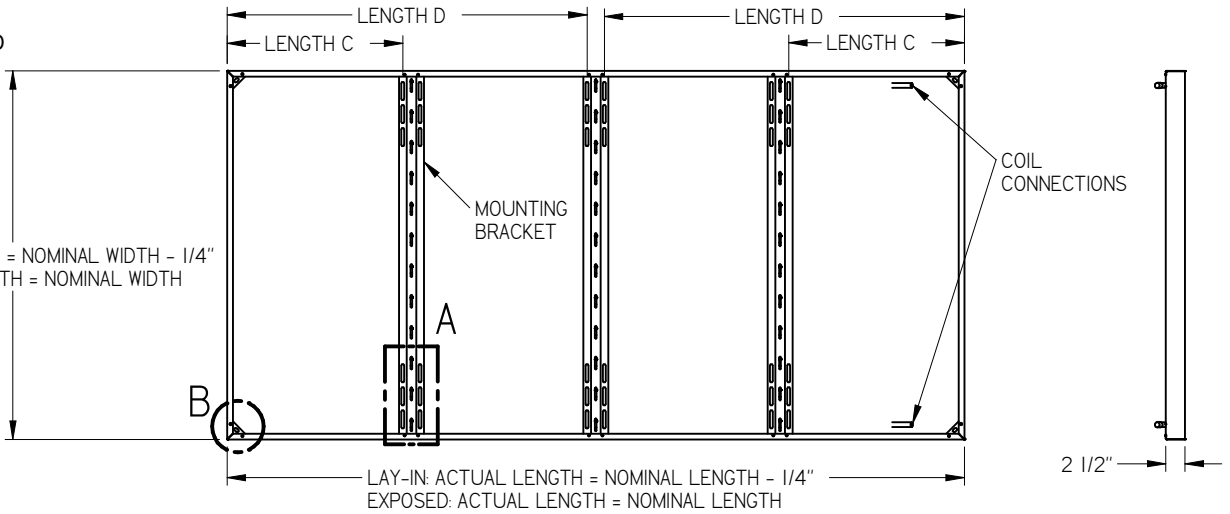
<b>PROJECT:</b>		 <b>RPM</b> <b>RADIANT PANEL MODULAR</b>
<b>ENGINEER:</b>		
<b>CUSTOMER:</b>		
<b>SUBMITTAL DATE:</b>	<b>SPEC. SYMBOL:</b>	
		<b>DY</b> <b>274902</b> <b>2022/10/17</b>

**RADIANT PANEL MODULAR**

**APPLICATION:**

- LI - LAY-IN
- EX - EXPOSED

LAY-IN: ACTUAL WIDTH = NOMINAL WIDTH - 1/4"  
 EXPOSED: ACTUAL WIDTH = NOMINAL WIDTH



MOUNTING BRACKET AMOUNT PER NOMINAL LENGTH																		
	NOMINAL LENGTH																	
	24"	30"	36"	42"	48"	54"	60"	66"	72"	78"	84"	90"	96"	102"	108"	114"	120"	
<b>QTY</b>	0	1	1	1	1	2	2	2	2	2	2	3	3	3	3	3	3	

MOUNTING BRACKET LOCATION PER NOMINAL LENGTH																		
		NOMINAL LENGTH																
		24"	30"	36"	42"	48"	54"	60"	66"	72"	78"	84"	90"	96"	102"	108"	114"	120"
LAY-IN	LENGTH C						16 3/4	16 3/4	16 3/4	16 3/4	22 3/4	22 3/4	19 3/4	22 3/4	19 3/4	22 3/4	19 3/4	22 3/4
	LENGTH D		13 3/4	16 3/4	19 3/4	22 3/4							43 3/4	46 3/4	49 3/4	52 3/4	55 3/4	58 3/4
EXPOSED	LENGTH C						16 7/8	16 7/8	16 7/8	16 7/8	22 7/8	22 7/8	19 7/8	22 7/8	19 7/8	22 7/8	19 7/8	22 7/8
	LENGTH D		13 7/8	16 7/8	19 7/8	22 7/8							43 7/8	46 7/8	49 7/8	52 7/8	55 7/8	58 7/8

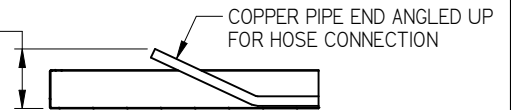
<b>PROJECT:</b>		  <b>DY</b>  <b>RPM</b> <b>RADIANT PANEL</b> <b>MODULAR</b>
<b>ENGINEER:</b>		
<b>CUSTOMER:</b>		
<b>SUBMITTAL DATE:</b>		
<b>SPEC. SYMBOL:</b>		274902
		2022/10/17

**RADIANT PANEL MODULAR**

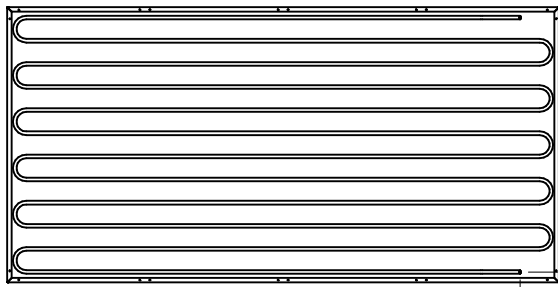
**COIL LAYOUT:**

- CL1 - SAME SIDE
- CL2 - LEFT HAND
- CL3 - RIGHT HAND
- CL4 - PASS THROUGH
- NC - NO COIL

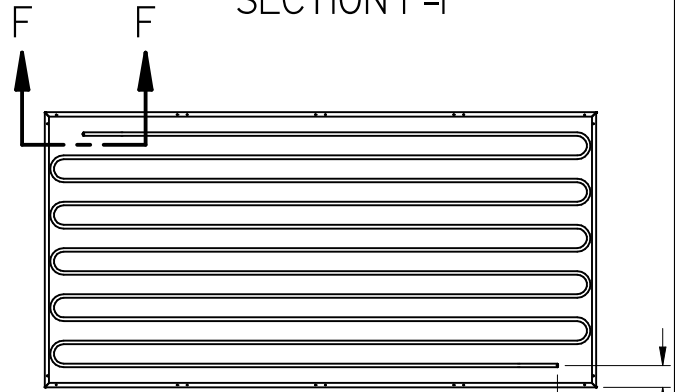
FOR CL1/CL2/CL3: 3 7/8" ±1/4"  
 FOR CL4: 3 15/16" ±1/4"



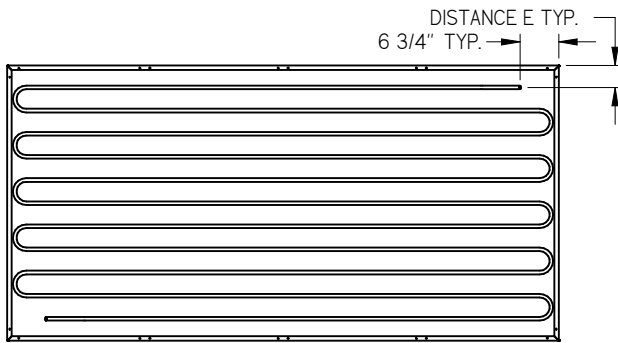
SECTION F-F



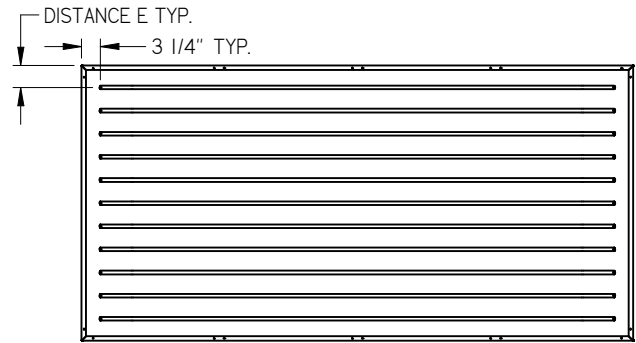
CL1  
(SAME SIDE)



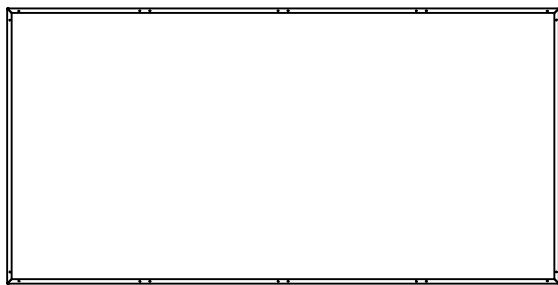
CL2  
(LEFT HAND)



CL3  
(RIGHT HAND)



CL4  
(PASS THROUGH)



NC  
(NO COIL)

\*\*DISTANCE E IS FROM CENTER OF PIPING CONNECTION TO THE NEAREST PANEL LENGTH OUTER WALL.

\*\*DIMENSIONS ARE BASED ON SWEAT CONNECTION.

		DISTANCE E PER NOMINAL WIDTH				
		NOMINAL WIDTH				
		24"	30"	36"	42"	48"
LAY-IN	CL1	1 13/16	4 13/16	3 13/16	2 13/16	1 13/16
	CL2/CL3/CL4	3 13/16	2 13/16	1 13/16	4 13/16	3 13/16
EXPOSED	CL1	1 15/16	4 15/16	3 15/16	2 15/16	1 15/16
	CL2/CL3/CL4	3 15/16	2 15/16	1 15/16	4 15/16	3 15/16

**PROJECT:**

**ENGINEER:**

**CUSTOMER:**

**SUBMITTAL DATE:**

**SPEC. SYMBOL:**



**DY**

**274902**

**2022/10/17**

**RPM  
RADIANT PANEL  
MODULAR**